 **DARSHANA[®]**
INDUSTRIES PVT. LTD.

Outline your needs, we will do the rest

Push Lock DM20 page **B 338-339**

Swing Handle DM27 page **B 342**

Airtight Handle page **B 346**

Refrigeration Lock page **B 349-356**

Cabinet Lock page **B 357**

Magnetic Catch page **B 359-364**

Swing Handle D21SL page **B 340**

Swing Handle D39SL page **B 343**

Spring Loaded Lock page **B 347**

Mechanical Catch page **B 365-368**

Pad Lock Handle DM25 page **B 341**

Swing Handle DM47 / DM48 page **B 344-345**

Swing Handle DML-31 page **B 349**

Fire Latch page **B 358**

Side Latch page **B 369**

Over Central Latch

page
B 370-383



Door Stopper

page
B 384-385

Door Catcher

page
B 386-390

Window Latch

page
B 391

Push Handle

page
B 392

Press Handle

page
B 393

Step

page
B 394

Flat Latch

page
B 395

Latch Accessories

page
B 396

Stay

page
B 397-400

Filters

page
B 401-440



Drawing Pocket

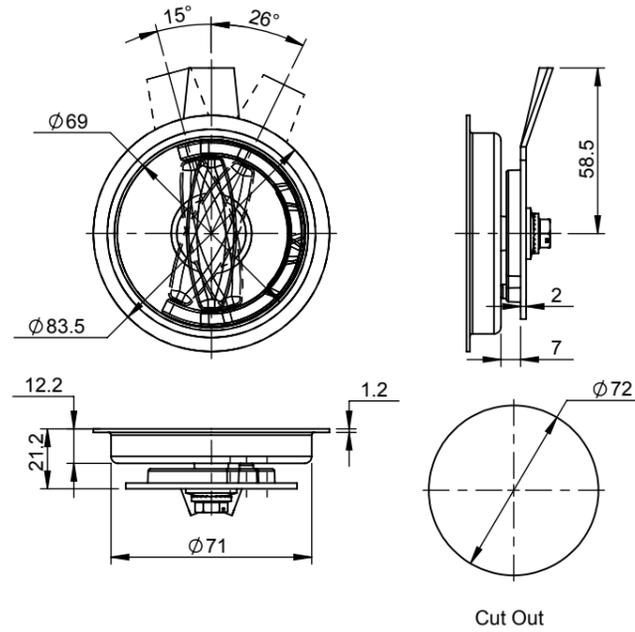
page
B 404

Frame Accessories

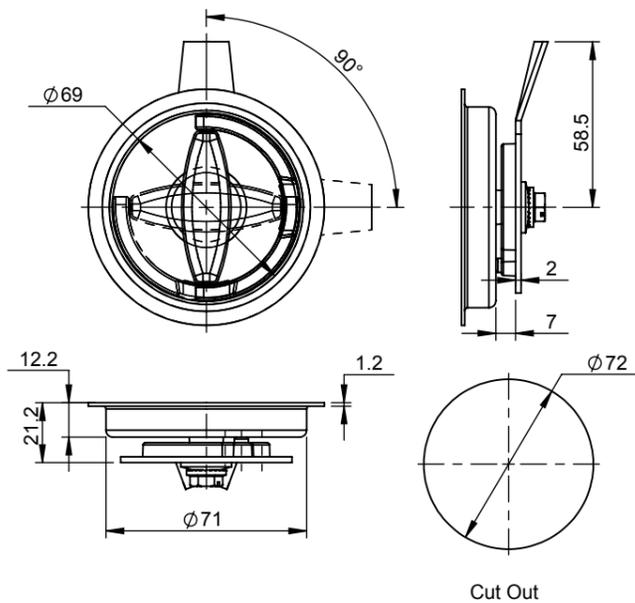
page
B 405-407

Locks & Latches

Fire Latch



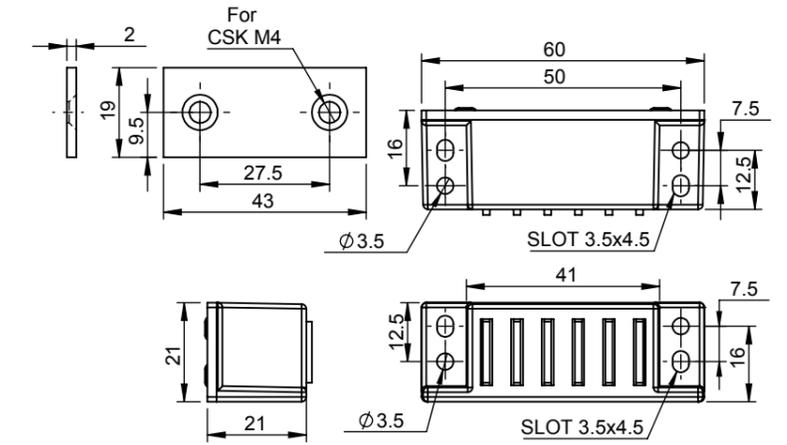
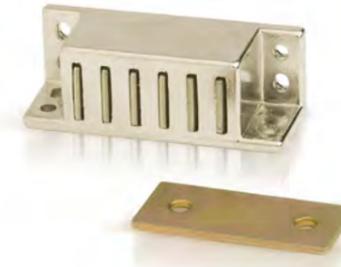
Product Code	Cover Material	Cover Finish	Handle Material	Handle Finish	Description
DMFF-83	SS-202	Buffed	Zinc	CH	Flush Lock



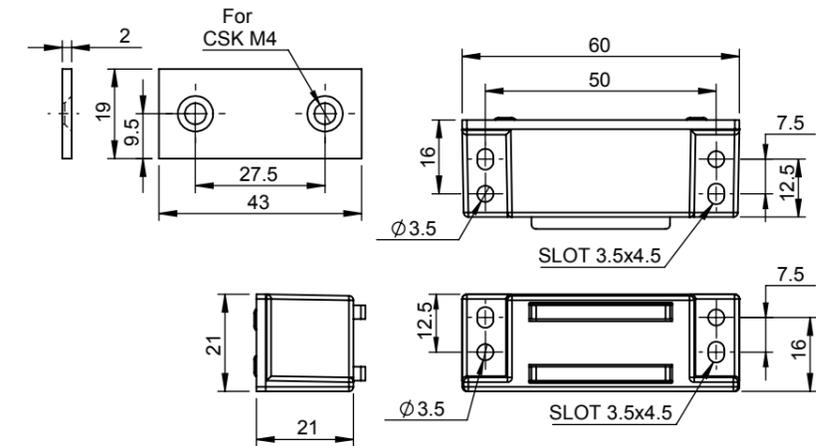
Product Code	Cover Material	Cover Finish	Handle Material	Handle Finish	Description
DMFF-83-90	SS-202	Buffed	Zinc	CH	Flush Lock

Locks & Latches

Magnetic Catch



Product Code	Material	Finish	Description
DMLM-6020	Zinc, MS	Nickel, Yellow Zinc	Magnetic Catch



Product Code	Material	Finish	Description
DMLM-H6020	Zinc, MS	Nickel, Yellow Zinc	Magnetic Catch

Locks & Latches

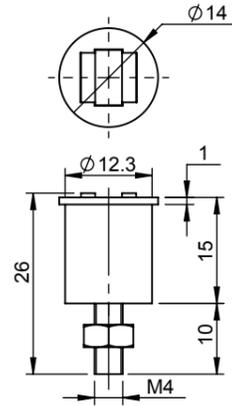
Magnetic Catch



DPLM-12



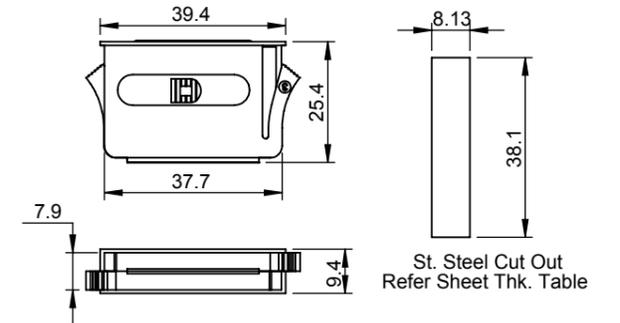
DZLM-12



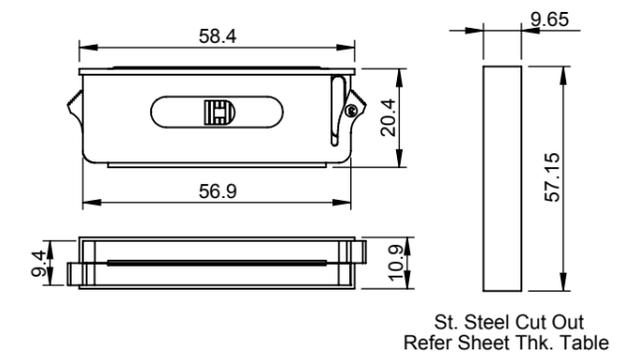
Product Code	Material	Finish	Description
DPLM-12	Polyamide		Magnetic Catch
DZLM-12	Zinc	Black PC	Magnetic Catch

Locks & Latches

Magnetic Catch



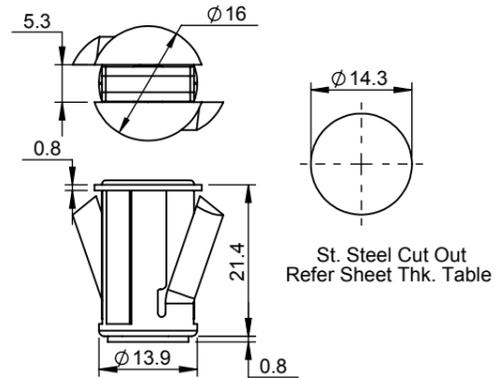
Product Code	Material	Sheet Thickness (mm)	Description
DPLM-139-2	Polypropylene	0.5 to 2.5	Magnetic Catch
DPLM-239-3.5	Polypropylene	2.5 to 3.5	Magnetic Catch
DPLM-339-5	Polypropylene	3.5 to 5.0	Magnetic Catch



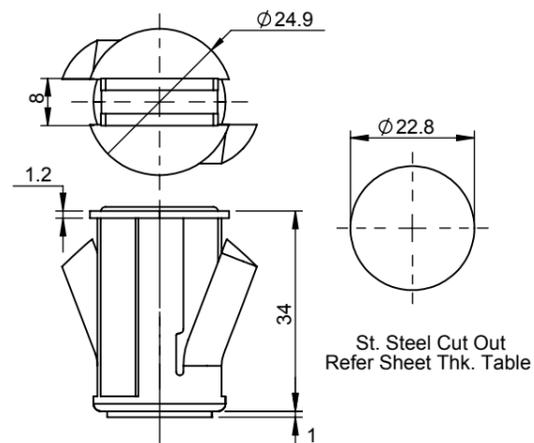
Product Code	Material	Sheet Thickness (mm)	Description
DPLM-158-2	Polypropylene	0.5 to 2.5	Magnetic Catch
DPLM-258-3.5	Polypropylene	2.5 to 3.5	Magnetic Catch
DPLM-358-5	Polypropylene	3.5 to 5.0	Magnetic Catch

Locks & Latches

Magnetic Catch



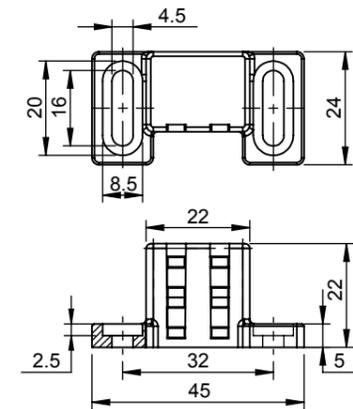
Product Code	Material	Sheet Thickness (mm)	Description
DPLM-116-2	Polypropylene	0.5 to 2.5	Magnetic Catch
DPLM-216-3.5	Polypropylene	2.5 to 3.5	Magnetic Catch
DPLM-316-5	Polypropylene	3.5 to 5.0	Magnetic Catch



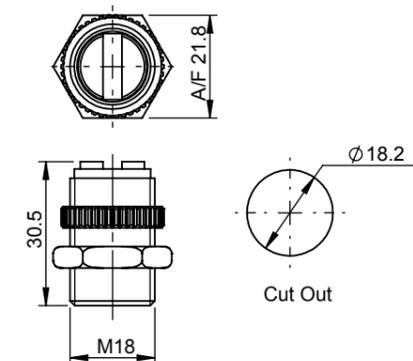
Product Code	Material	Sheet Thickness (mm)	Description
DPLM-134-2	Polypropylene	0.5 to 2.5	Magnetic Catch
DPLM-234-3.5	Polypropylene	2.5 to 3.5	Magnetic Catch
DPLM-334-5	Polypropylene	3.5 to 5.0	Magnetic Catch

Locks & Latches

Magnetic Catch



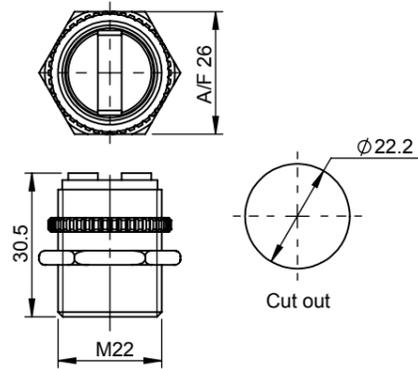
Product Code	Material	Description
DPLM-4524	Polyamide	Magnetic Catch



Product Code	Material	Finish	Description
DBLM-18	Brass	Nickel	Magnetic Catch

Locks & Latches

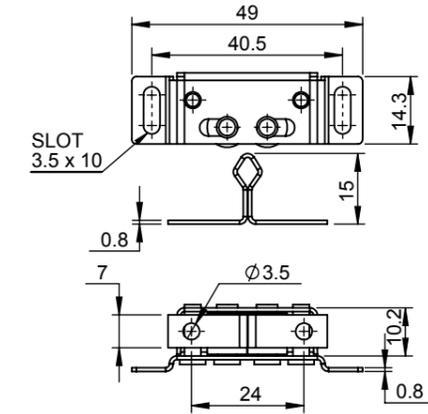
Magnetic Catch



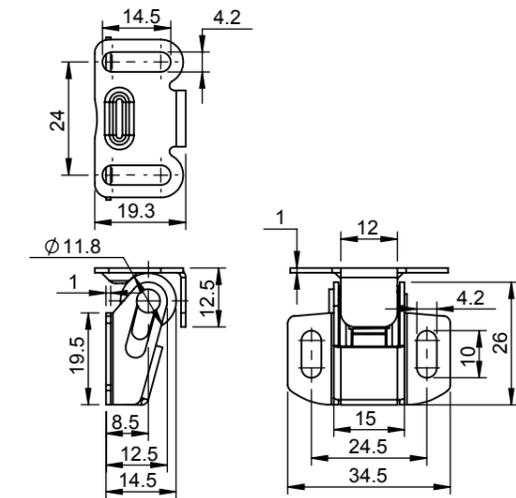
Product Code	Material	Finish	Description
DBLM-22	Brass	Nickel	Magnetic Catch

Locks & Latches

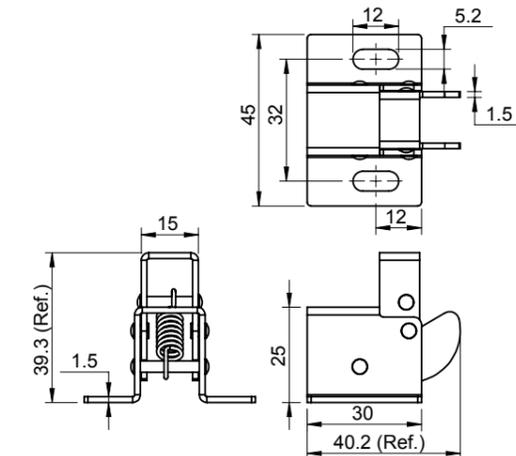
Mechanical Catch



Product Code	Material	Finish	Description
DML-3014-SS	SS-304	Electro Polishing	Roller Catch



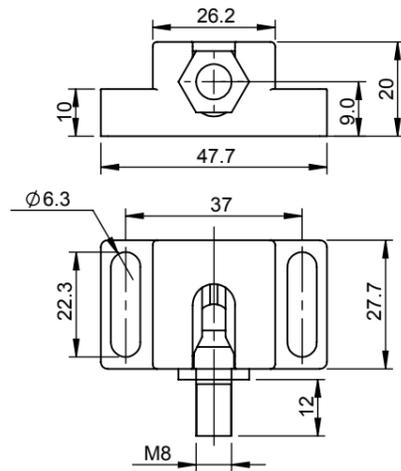
Product Code	Material	Finish	Description
DSNL-2635	MS	Blue Zinc	Roller Catch



Product Code	Material	Finish	Description
DSNL-3040	MS	Blue Zinc	Mechanical Catch

Locks & Latches

Mechanical Catch

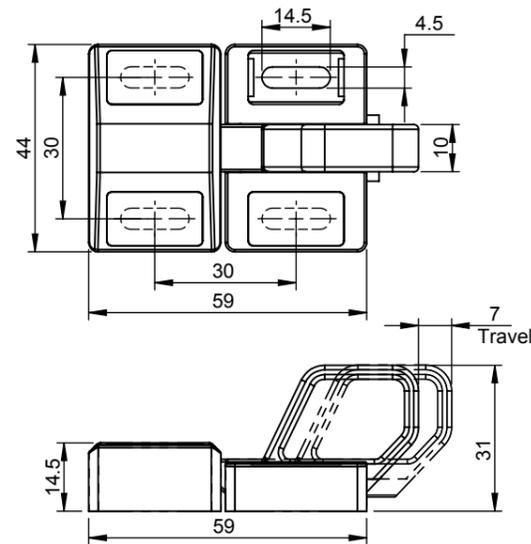


Product Code	Base Material	Stud Material	Stud Finish	Description
DPLM-4827	Polyamide	MS	Nickel	Mechanical Catch

Fix base on panel before use Stud can be mounted Horizontally / Vertically



DPPL-4430

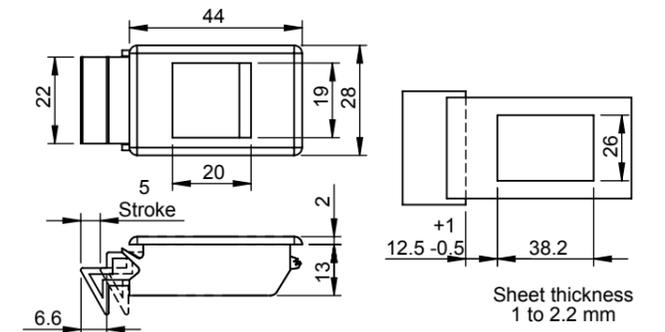


DPPL2-4430

Product Code	Material	Description
DPPL-4430	Polyamide	Pull Latch
DPPL2-4430	Polyamide	Pull Latch

Locks & Latches

Mechanical Catch



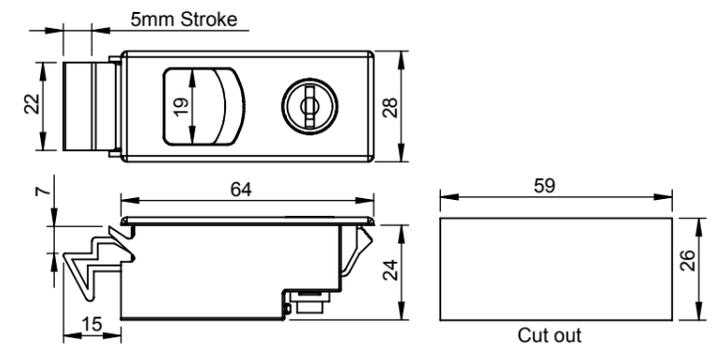
Product Code	Material	Description
DPLS-2538	Polyamide	Slide Latch



DPLSL-6428



DPLSP-6428



Product Code	Material	Description	Key
DPLSL-6428	Polyamide	Slide Latch	D-1333
DPLSP-6428	Polyamide	Slide Latch	-

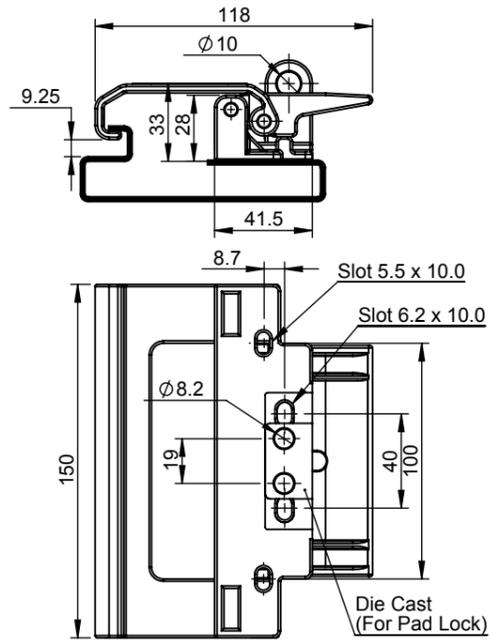
Key not removed in unlock condition

Locks & Latches

Mechanical Catch



DPSNL-150-L



DPSNL-150



Product Code	Material	Description
DPSNL-150-L	Polyamide	Mechanical Catch
DPSNL-150	Polyamide	Mechanical Catch

Locks & Latches

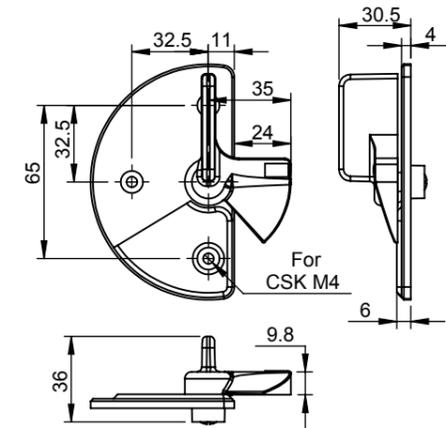
Side Latch



DLAC (Lock)



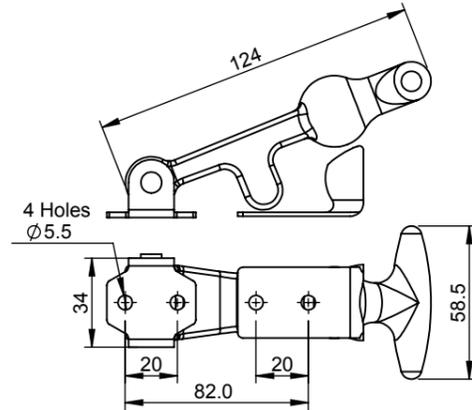
DLAC (Unlock)



Product Code	Material	Description
DLAC	Polyamide	Latch

Locks & Latches

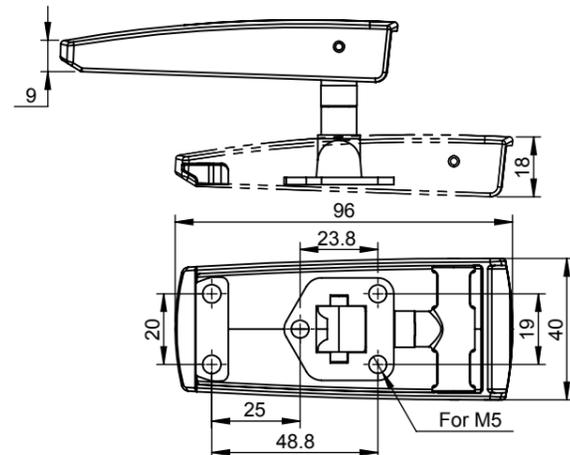
Over Central Latch



Product Code	Material	Finish	Description
DPRL-124	EPDM & MS	Blue Zinc	Pull Latch
DPRL-124-SS	EPDM & SS-304	Electro Polishing	Pull Latch



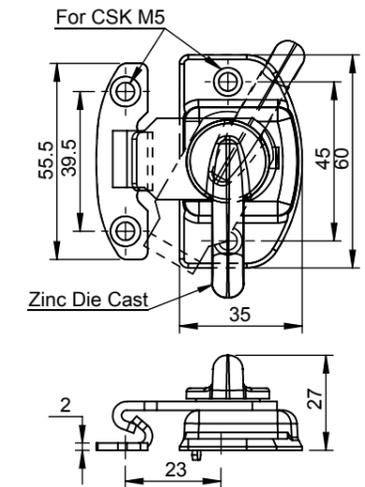
DPSNL-A-9540



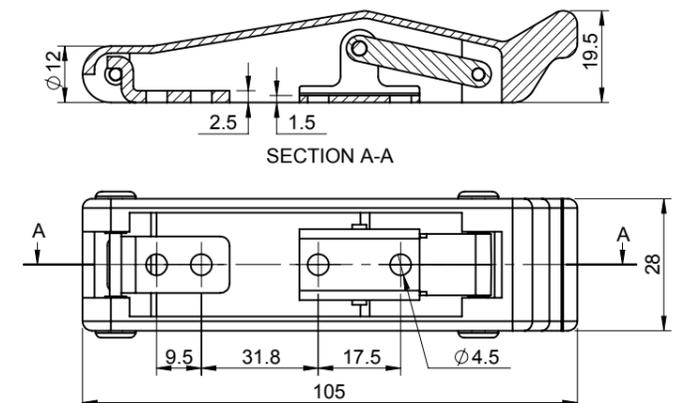
Product Code	Material	Description
DPSNL-A-9540	Polyamide	Adjustable Draw Latch

Locks & Latches

Over Central Latch



Product Code	Material	Finish	Description
DSNL-3560-SS	SS-304	Electro Polishing	Cam Type Latch



Product Code	Material	Finish	Description
DPSNL-105	EPDM & SS-304	Electro Polishing	Draw Pull Latch

Locks & Latches

Over Central Latch

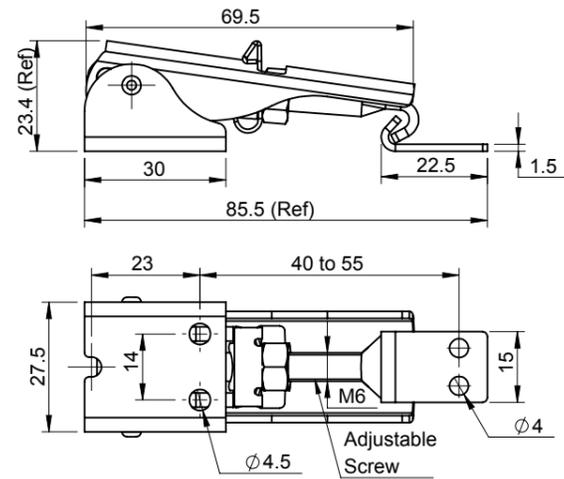


DSNL-L-2769-SS

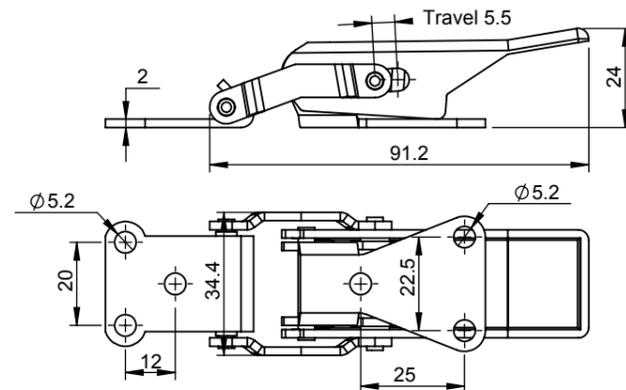


DSNL-2769-SS

2020



Product Code	Material	Finish	Description
DSNL-L-2769-SS	SS-304	Electro Polishing	Adjustable Draw Latch
DSNL-2769-SS	SS-304	Electro Polishing	Adjustable Draw Latch



Product Code	Material	Finish	Description
DSNL-8334-SS	SS-304	Electro Polishing	Self Adjustable Draw Latch

Locks & Latches

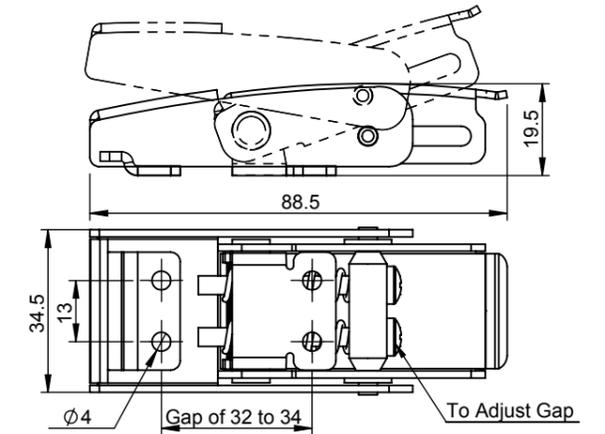
Over Central Latch



DSNL-8834



DSNL-8834-SS



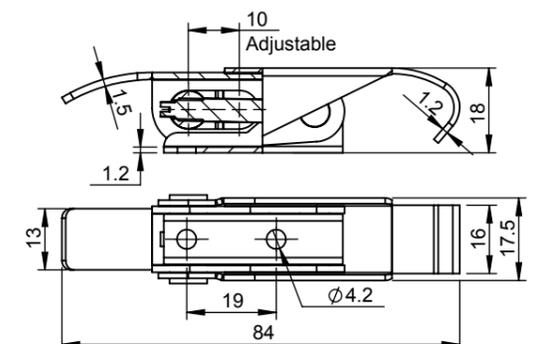
Product Code	Material	Finish	Description
DSNL-8834	MS	Nickel	Adjustable Draw Latch
DSNL-8834-SS	SS-304	Electro Polishing	Adjustable Draw Latch



DSNL-1794



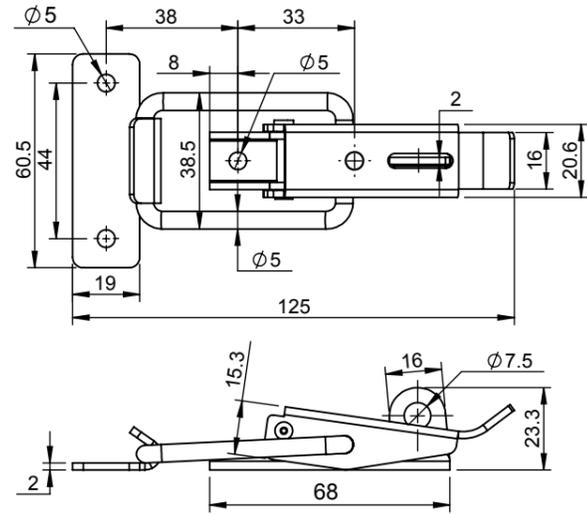
DSNL-1794 (Open)



Product Code	Material	Finish	Description
DSNL-1794	MS	Blue Zinc	Adjustable Draw Latch

Locks & Latches

Over Central Latch



Product Code	Material	Finish	Description
DSNL-L-6816	MS	Blue Zinc	Pull Latch

Locks & Latches

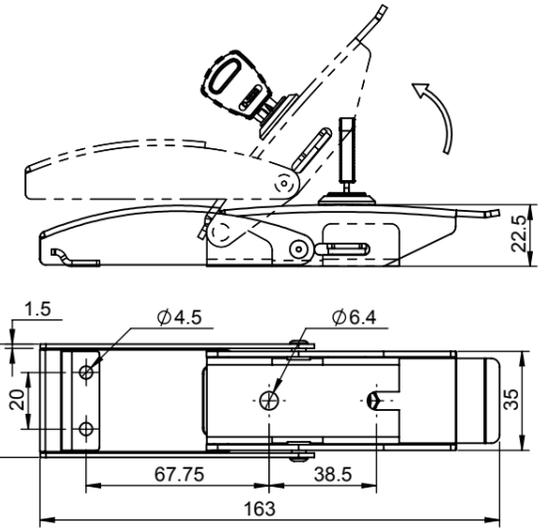
Over Central Latch



DSNL-K-16240



DSNL-K-16240-SS



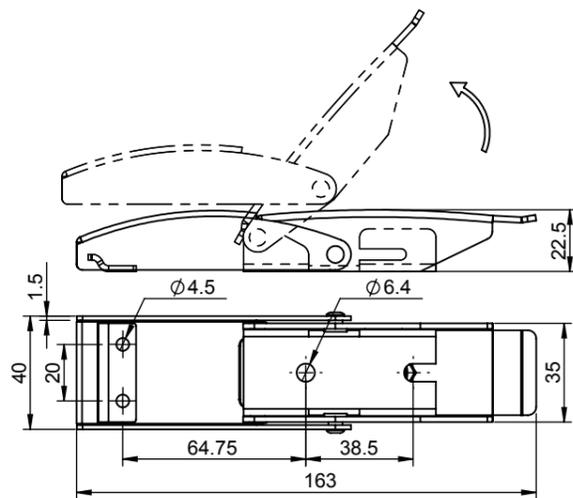
Product Code	Material	Finish	Description	Key
DSNL-K-16240	MS	Nickel	Draw Latch Lockable	D-2233
DSNL-K-16240-SS	SS-304	Electro Polishing	Draw Latch Lockable	D-2233



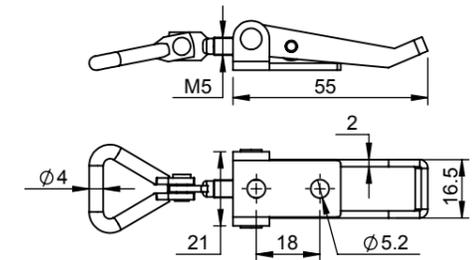
DSNL-16240



DSNL-16240-SS



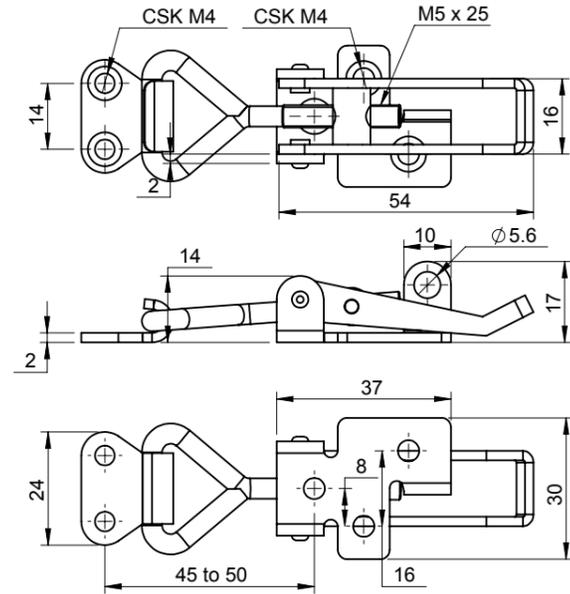
Product Code	Material	Finish	Description
DSNL-16240	MS	Nickel	Draw Latch
DSNL-16240-SS	SS-304	Electro Polishing	Draw Latch



Product Code	Material	Finish	Description
DSNL-5821	MS	Blue Zinc	Adjustable Draw Latch
DSNL-5821-SS	SS-304	Electro Polishing	Adjustable Draw Latch

Locks & Latches

Over Central Latch

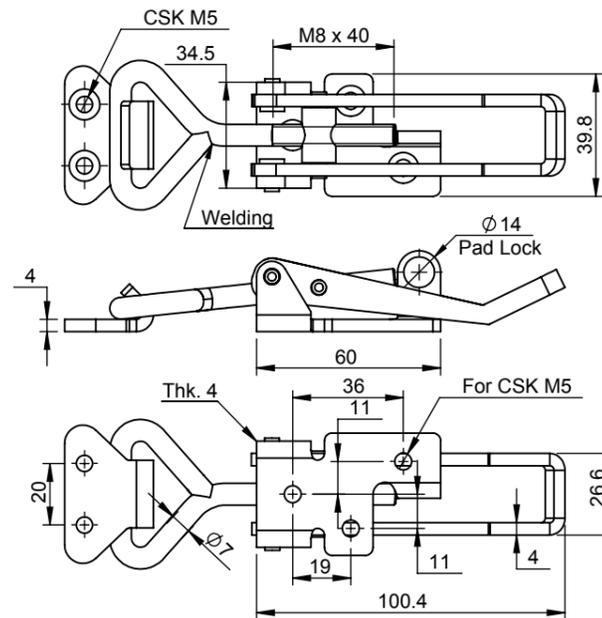


2020

Product Code	Material	Description
DSNL-5430-SS	SS-304	Adjustable Draw Latch



DSNL-10034

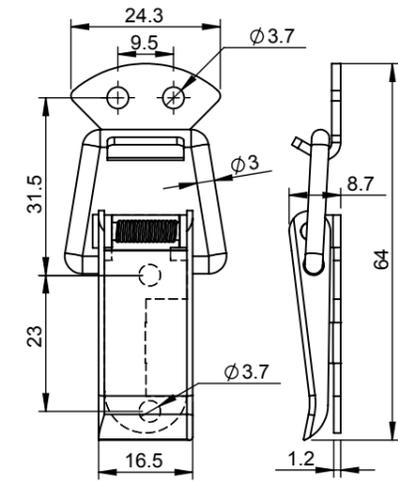


DSNL-10034-SS

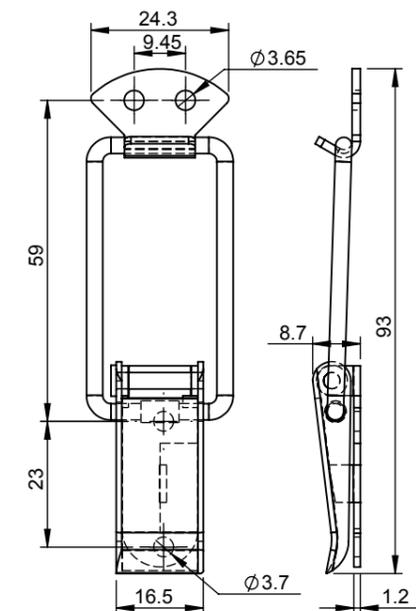
Product Code	Material	Finish	Description
DSNL-10034	MS	Blue Zinc	Adjustable Draw Latch
DSNL-10034-SS	SS-304	Electro Polishing	Adjustable Draw Latch

Locks & Latches

Over Central Latch



Product Code	Material	Finish	Description
DSNL-5316-SS	SS-304	Electro Polishing	Draw Latch Spring Loaded



Product Code	Material	Finish	Description
DSNL-8216-SS	SS-304	Electro Polishing	Draw Latch

Locks & Latches

Over Central Latch



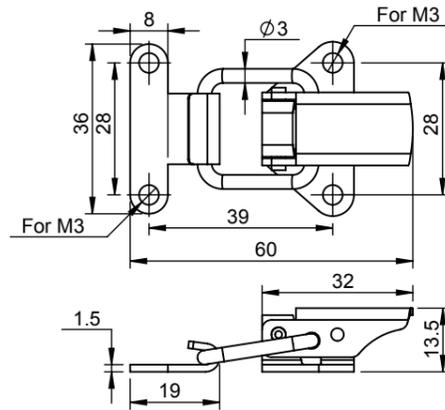
DSNL-3215



DSNL-3215-SS

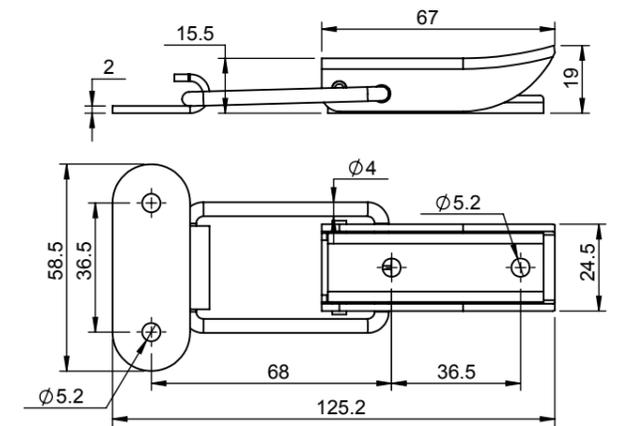
2020

Product Code	Material	Finish	Description
DSNL-3215	MS	Blue Zinc	Draw Latch
DSNL-3215-SS	SS	-	Draw Latch

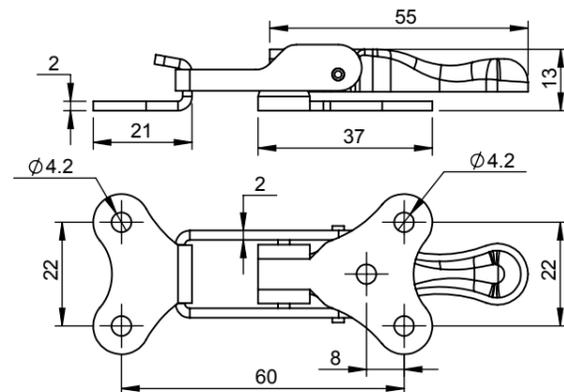


Locks & Latches

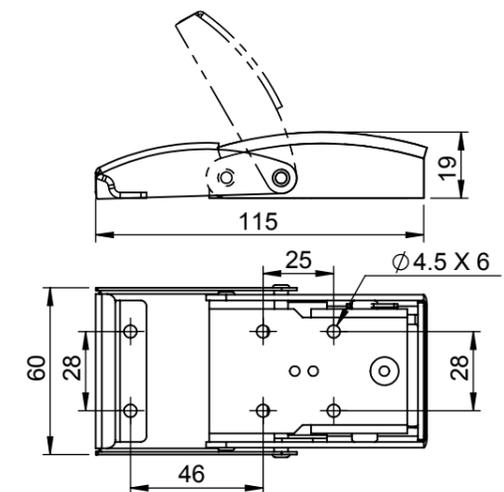
Over Central Latch



Product Code	Material	Finish	Description
DSNL-6724	MS	Blue Zinc	Draw Latch



Product Code	Material	Finish	Description
DSNL-5514	MS	Blue Zinc	Draw Latch



Product Code	Material	Finish	Description
DSNL-L-11560-SS	SS-304	Electro Polishing	Draw Latch With Safety Mechanism

Locks & Latches

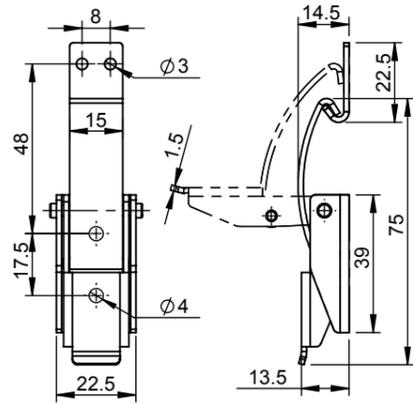
Over Central Latch



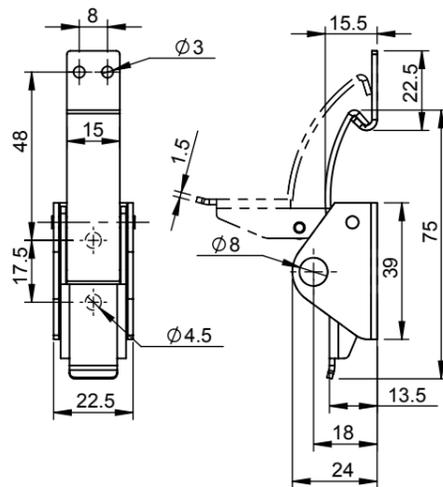
DSNL-5029



DSNL-5029-SS



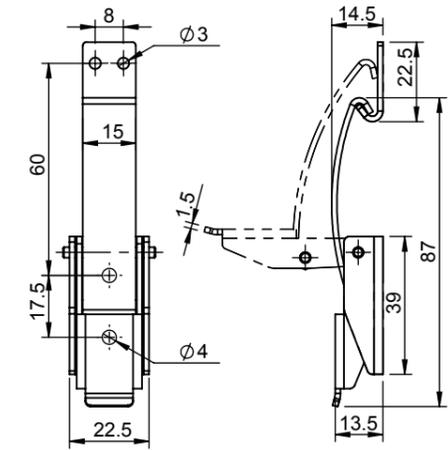
Product Code	Material	Finish	Description
DSNL-5029	MS	Nickel	Draw Latch
DSNL-5029-SS	SS-304	Electro Polishing	Draw Latch



Product Code	Material	Finish	Description
DSNL-L-5029	MS	Nickel	Draw Latch with Pad Lock
DSNL-L-5029-SS	SS-304	Electro Polishing	Draw Latch with Pad Lock

Locks & Latches

Over Central Latch



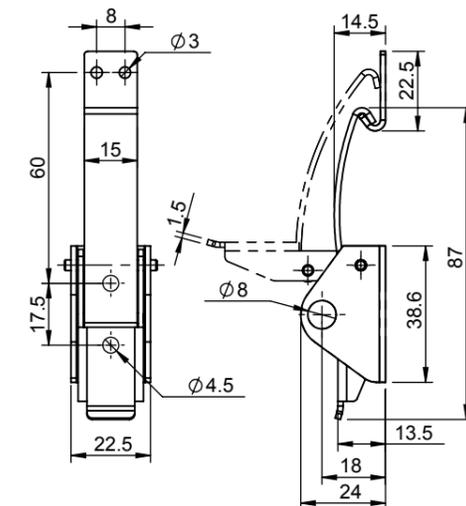
Product Code	Material	Finish	Description
DSNL-5039	MS	Nickel	Draw Latch
DSNL-5039-SS	SS-304	Electro Polishing	Draw Latch



DSNL-L-5039



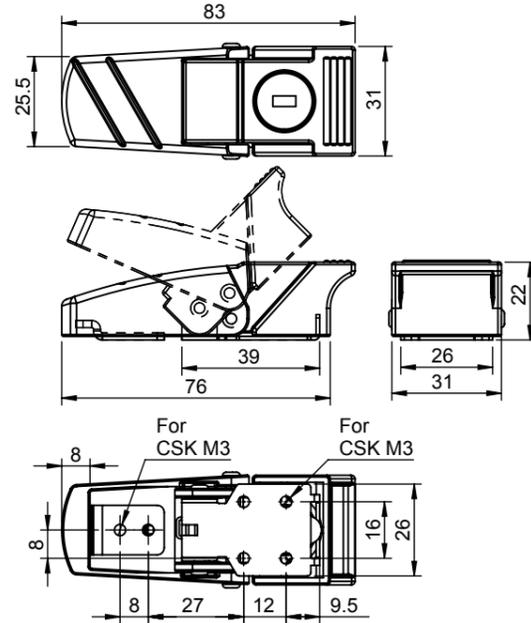
DSNL-L-5039-SS



Product Code	Material	Finish	Description
DSNL-L-5039	MS	Nickel	Draw Latch with Pad Lock
DSNL-L-5039-SS	SS-304	Electro Polishing	Draw Latch with Pad Lock

Locks & Latches

Over Central Latch



Product Code	Material	Finish	Description	Key
DZSNL-3183	Zinc	Black PC	Door Latch	D-1666

Locks & Latches

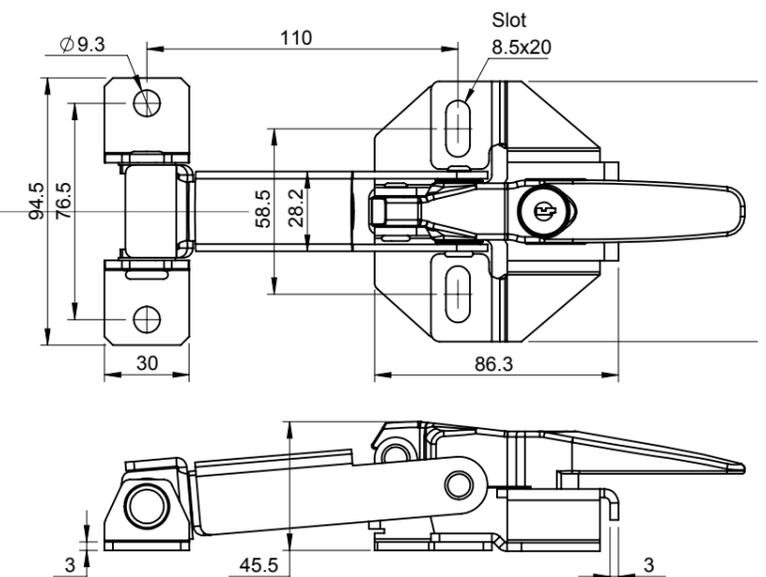
Over Central Latch



DSNL-76110-BZ



DSNL-76110-PC

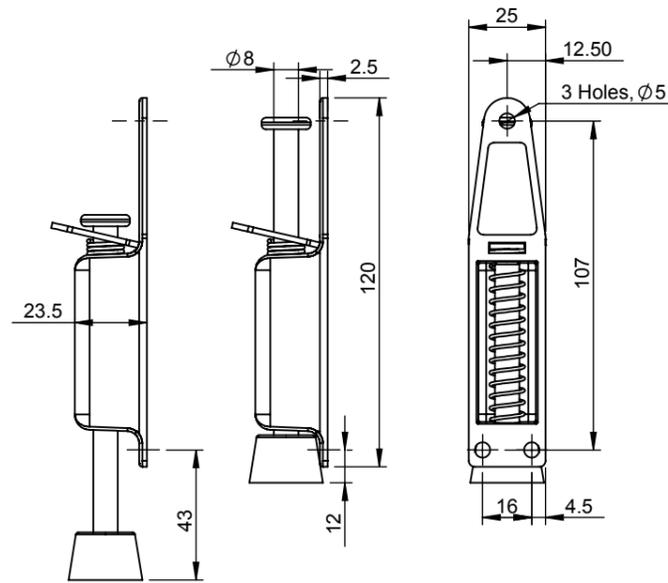


2020

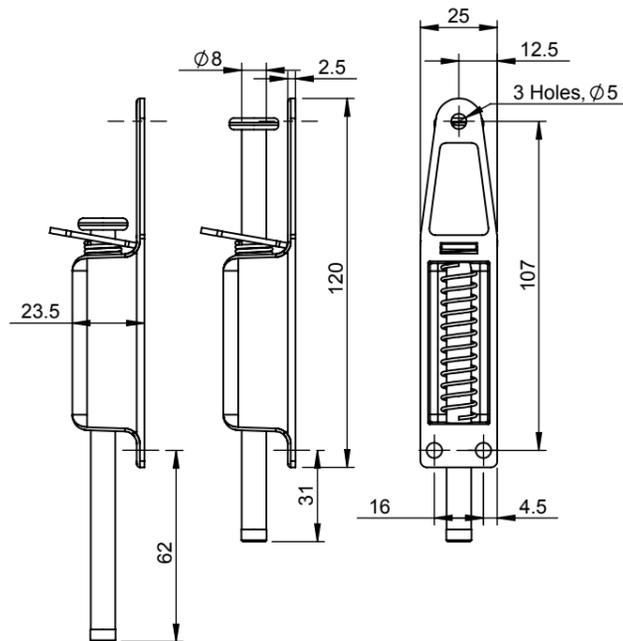
Product Code	Material	Handle Material	Handle Finish	Finish	Description
DSNL-76110-BZ	MS	Zinc	Black PC	Blue Zinc	Self Adjustable Draw Latch
DSNL-76110-PC	MS	Zinc	Black PC	Black PC	Self Adjustable Draw Latch

Locks & Latches

Door Stopper



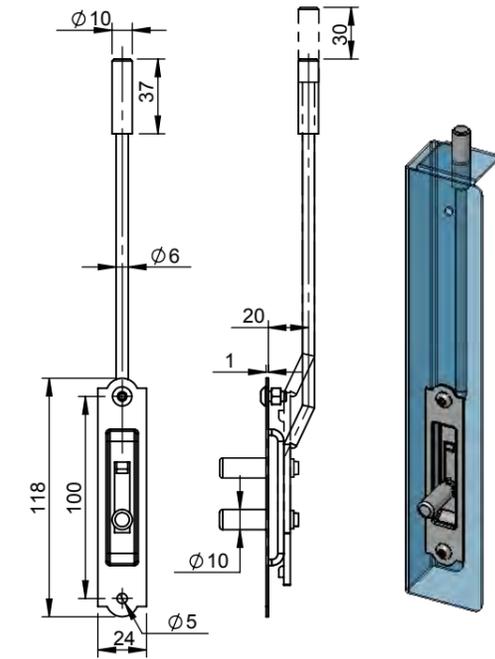
Product Code	Material	Finish	Description
DZDS-109	Zinc	Black PC	Door Stopper



Product Code	Material	Finish	Description
DZDS-109-62	Zinc	Black PC	Door Stopper

Locks & Latches

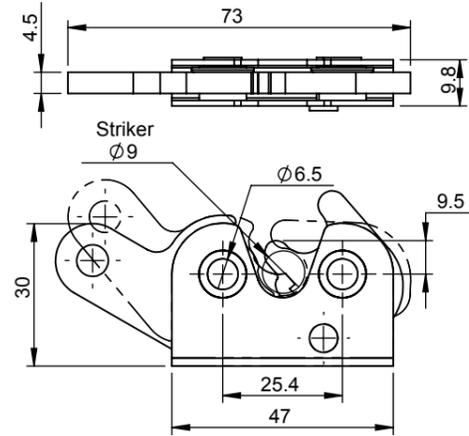
Door Stopper



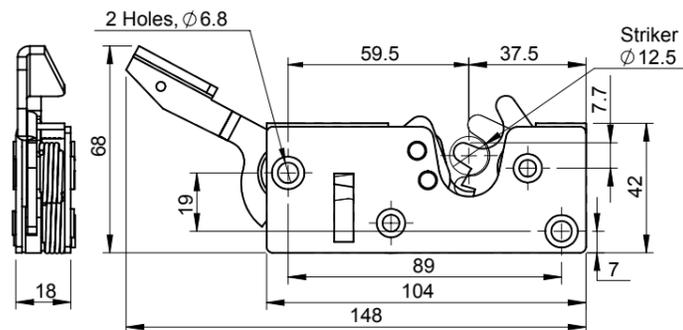
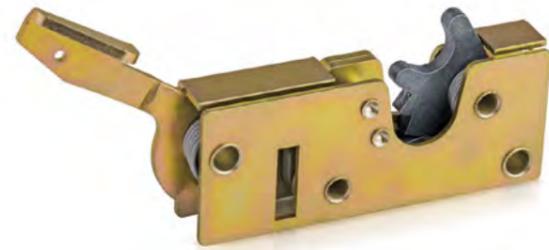
Product Code	Material	Finish	Description
DMDL-100	MS	Nickel	Door Stopper

Locks & Latches

Door Catcher



Product Code	Material	Finish	Locking Type	Description
DBC1	MS	Blue Zinc	Single Locking	Door Catcher



Product Code	Material	Finish	Locking Type	Description
DDC1-R	MS	Yellow Zinc	Single Locking	Door Catcher

Locks & Latches

Door Catcher



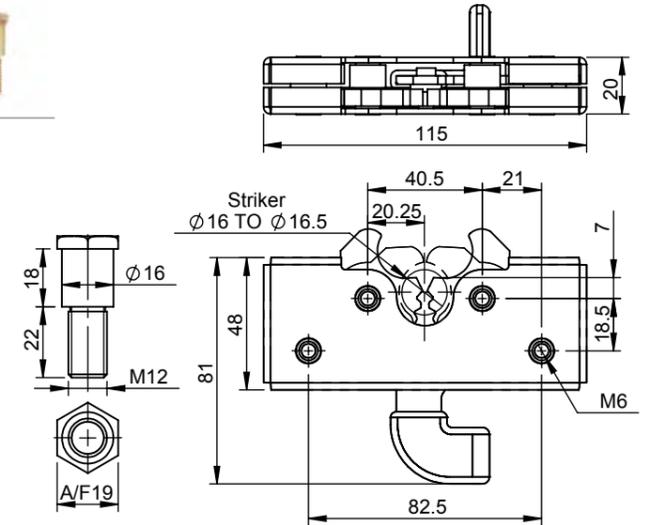
DDC2-R



SB-1



DDC2-L



Product Code	Material	Finish	Locking Type	Description
DDC2-R	MS	Black PC	Double Locking	Door Catcher
DDC2-L	MS	Black PC	Double Locking	Door Catcher
SB-1	MS	Yellow Zinc	-	Striker

Striker Order to be separately



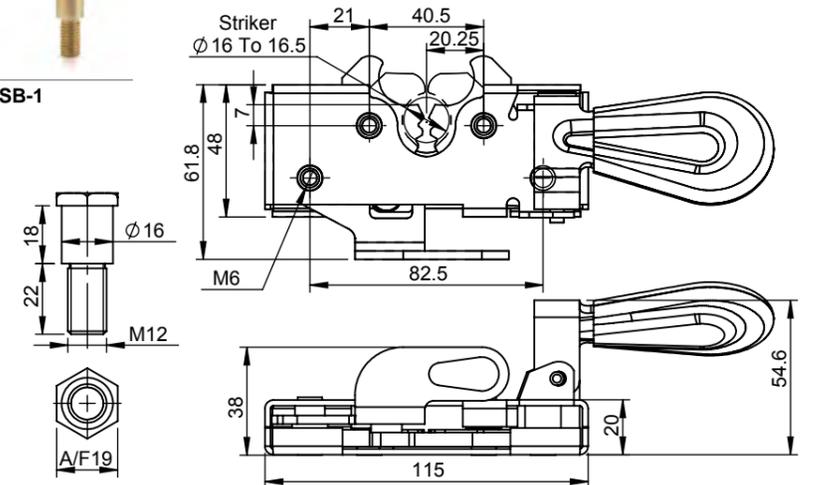
DDC3-R



SB-1



DDC3-L



Product Code	Material	Finish	Locking Type	Description
DDC3-R	MS	Yellow Zinc	Double Locking	Door Catcher
DDC3-L	MS	Yellow Zinc	Double Locking	Door Catcher
SB-1	MS	Yellow Zinc	-	Striker

Striker Order to be separately

Locks & Latches

Door Catcher

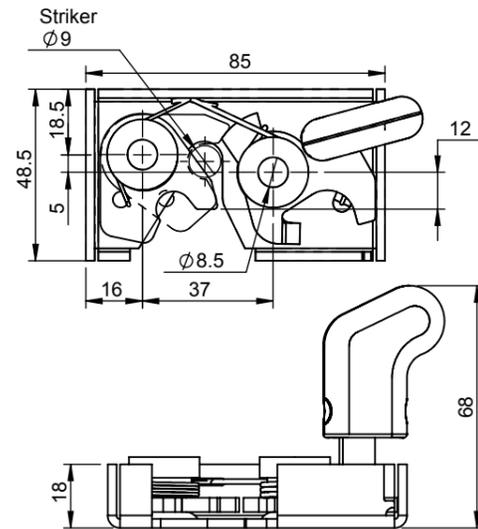


DDC4-R

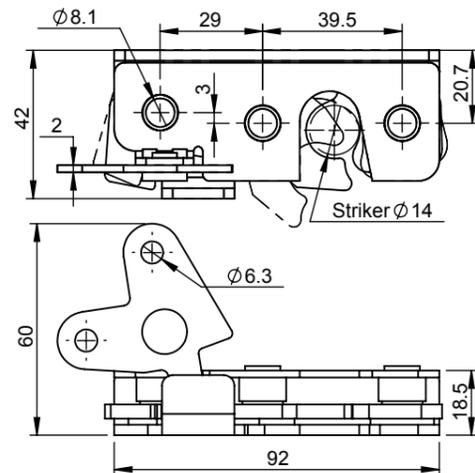
DDC4-L



DDC4-MH



Product Code	Material	Finish	Locking Type	Description
DDC4-R	MS	Yellow Zinc	Single Locking	Door Catcher
DDC4-L	MS	Yellow Zinc	Single Locking	Door Catcher
DDC4-MH	MS	Yellow Zinc	Single Locking	Door Catcher



Product Code	Material	Finish	Locking Type	Description
DDC5-L	MS	Blue Zinc	Single Locking	Door Catcher

Locks & Latches

Door Catcher



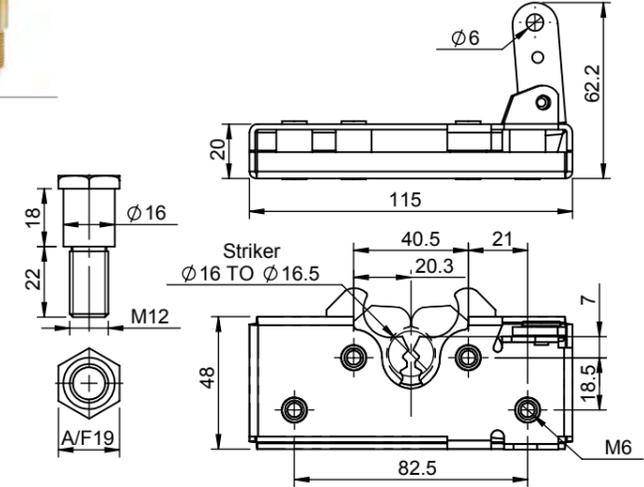
DDC6-R



DDC6-L



SB-1



Product Code	Material	Finish	Locking Type	Description
DDC6-R	MS	Yellow Zinc	Double Locking	Door Catcher
DDC6-L	MS	Yellow Zinc	Double Locking	Door Catcher
SB-1	MS	Yellow Zinc	-	Striker

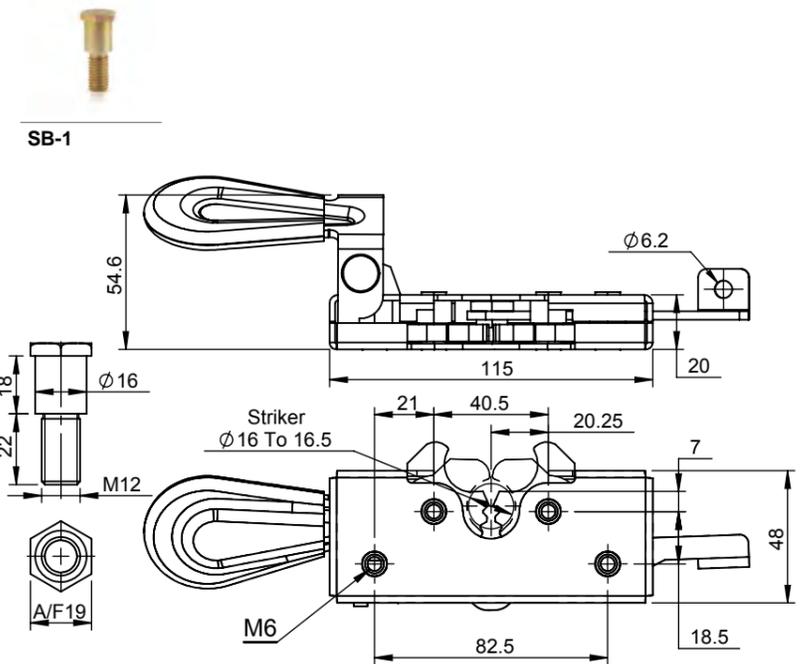
Striker Order to be separately



DDC7-R



DDC7-L

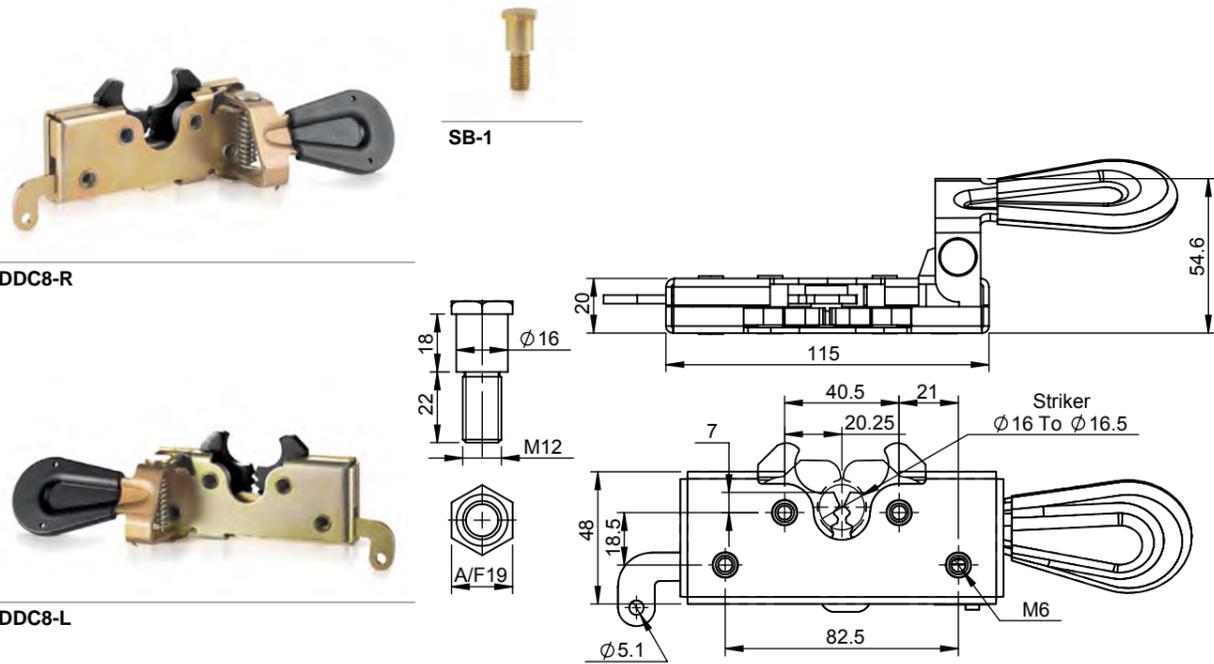


Product Code	Material	Finish	Locking Type	Description
DDC7-R	MS	Yellow Zinc	Double Locking	Door Catcher
DDC7-L	MS	Yellow Zinc	Double Locking	Door Catcher
SB-1	MS	Yellow Zinc	-	Striker

Striker Order to be separately

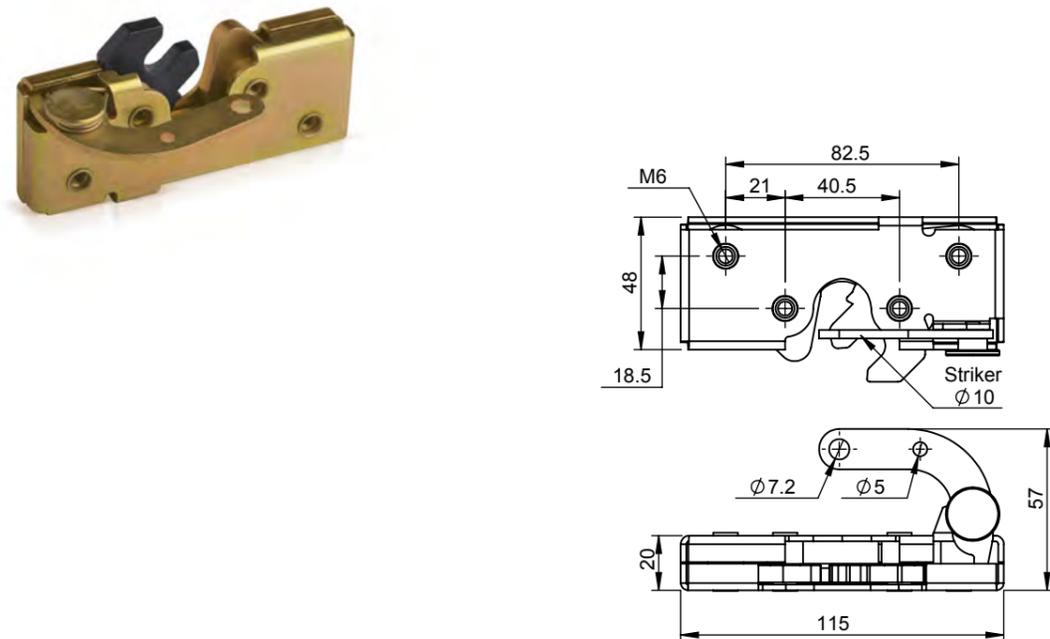
Locks & Latches

Door Catcher



Product Code	Material	Finish	Locking Type	Description
DDC8-R	MS	Yellow Zinc	Double Locking	Door Catcher
DDC8-L	MS	Yellow Zinc	Double Locking	Door Catcher
SB-1	MS	Yellow Zinc	-	Striker

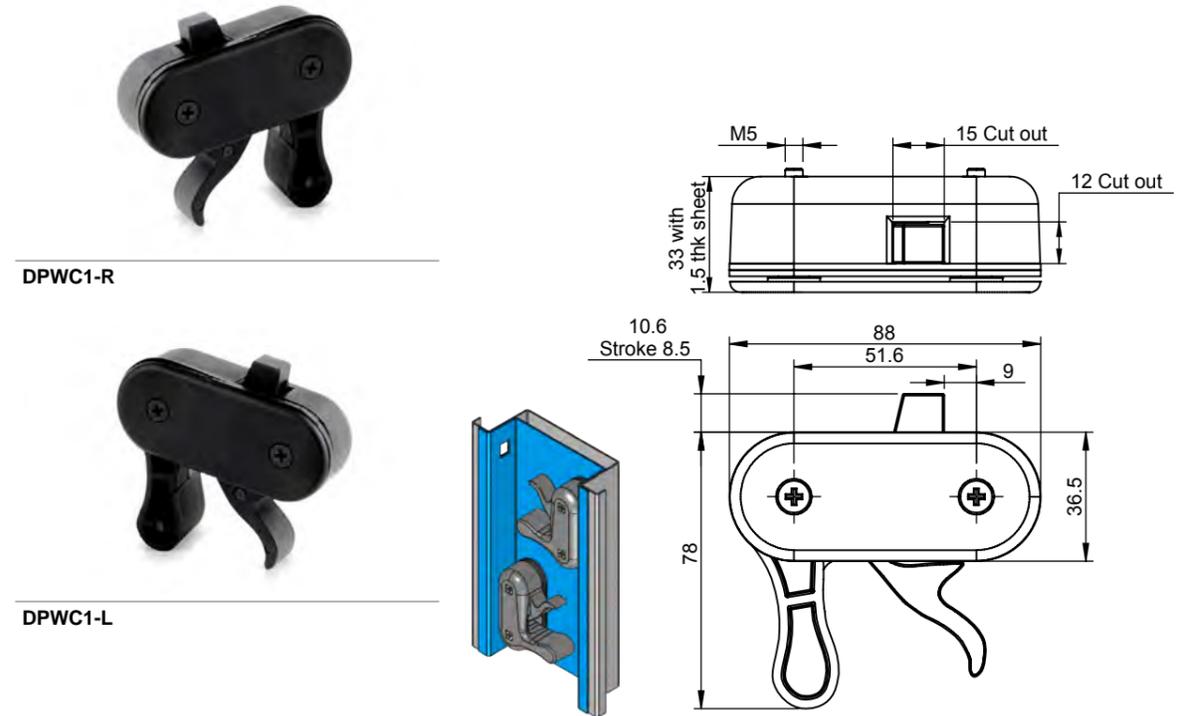
Striker Order to be separately



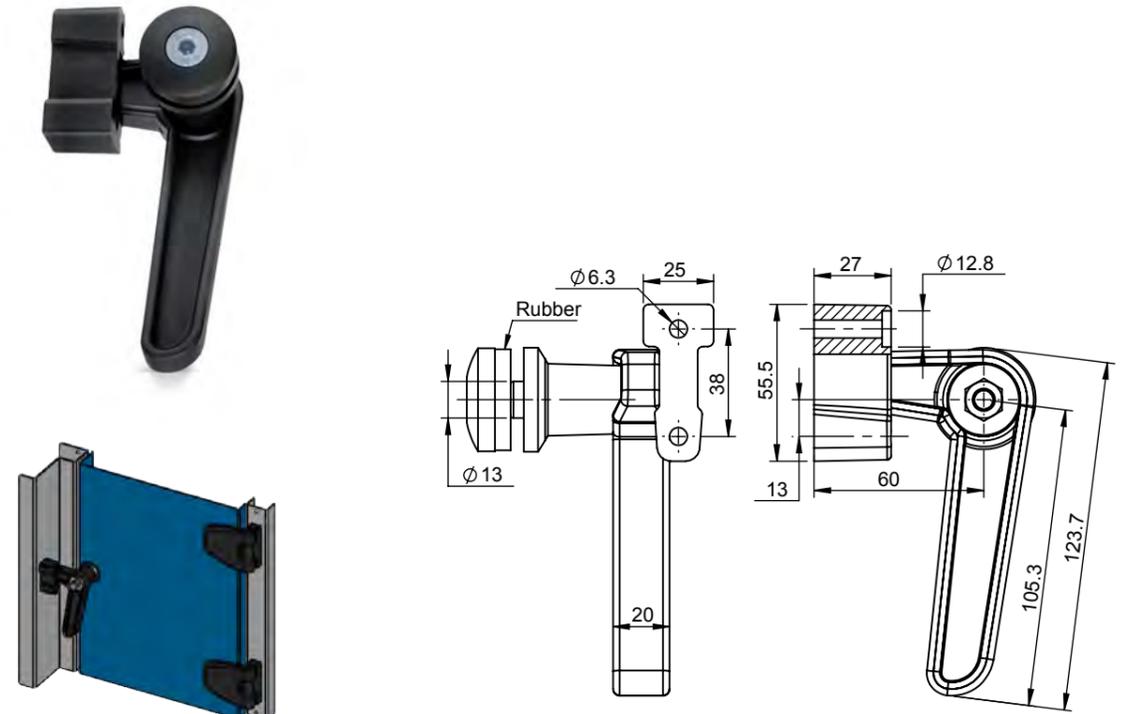
Product Code	Material	Finish	Locking Type	Description
DDC14	MS	Yellow Zinc	Single Locking	Door Catcher

Locks & Latches

Window Latch



Product Code	Material	Release Type	Description
DPWC1-R	Polyamide	Single Release	Window Latch
DPWC1-L	Polyamide	Single Release	Window Latch



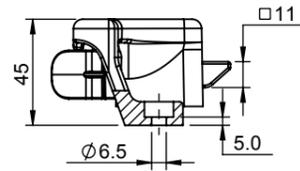
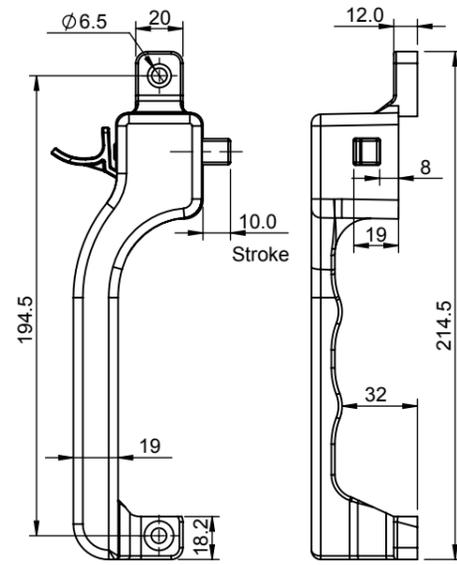
Product Code	Material	Description
DPWC-2	Polyamide	Window Latch

Locks & Latches

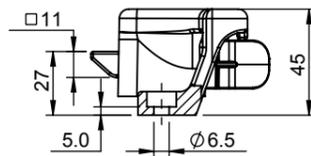
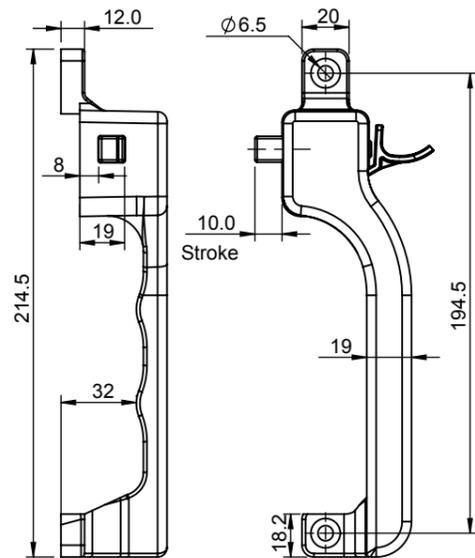
Push Handle



DZHS-L



DZHS-R



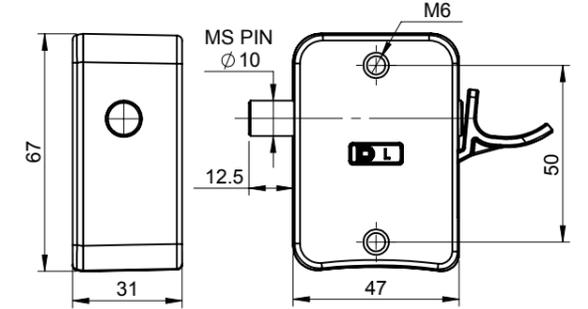
Product Code	Material Type	Finish	Description
DZHS-L	Zinc	Black PC	Push Handle
DZHS-R	Zinc	Black PC	Push Handle

Locks & Latches

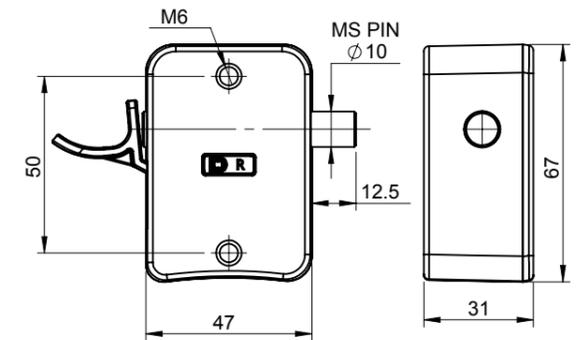
Press Handle



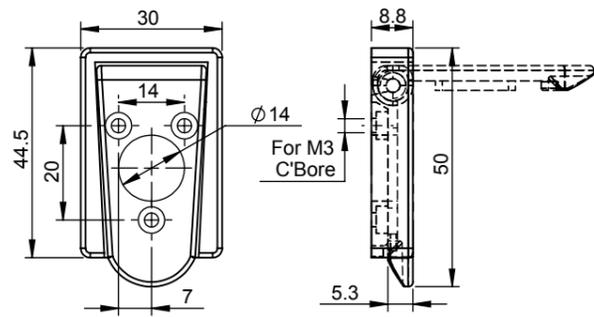
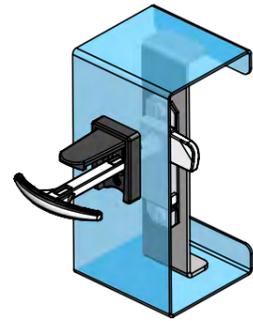
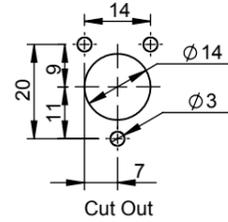
DZWC2-L



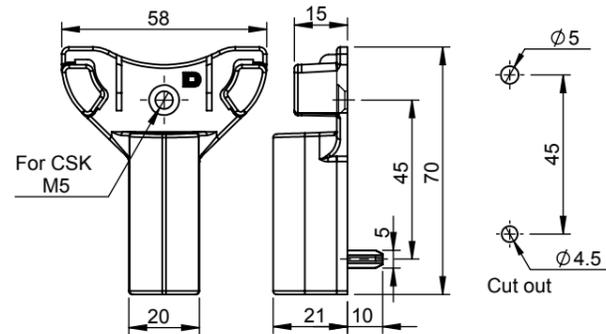
DZWC2-R



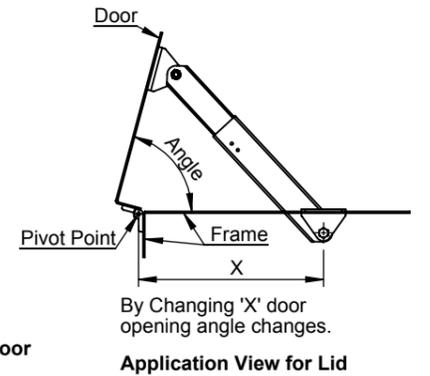
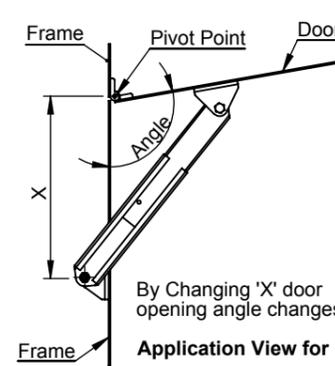
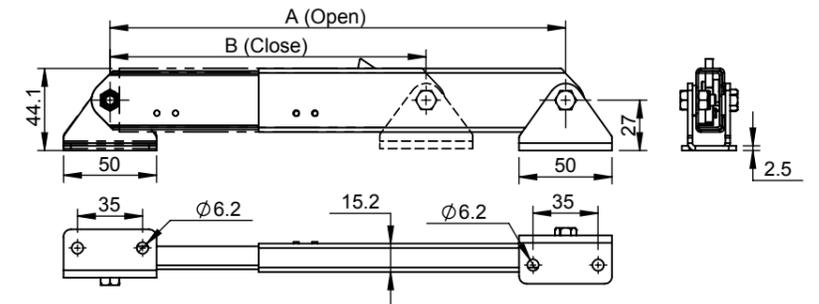
Product Code	Material Type	Finish	Description
DZWC2-L	Zinc	Black PC	Press Handle
DZWC2-R	Zinc	Black PC	Press Handle



Product Code	Material	Description
FP-1	Polyamide	Fascia Cover



Product Code	Material	Description
DPKH	Polyamide	Key Holder

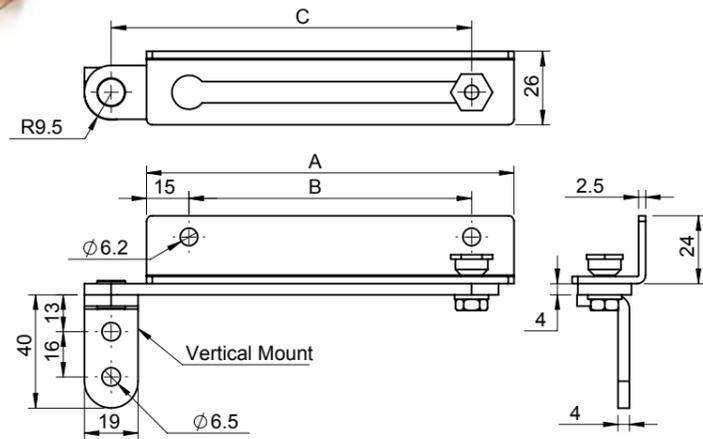
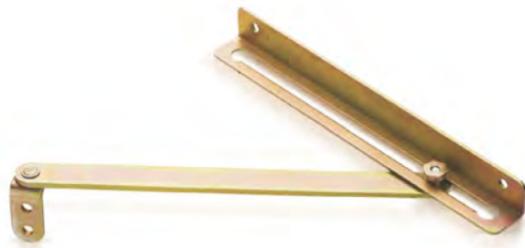


Product Code	Material	Finish	A	B	Description
DDS1-170	MS	Yellow Zinc	245	170	Telescopic Stay
DDS1-250	MS	Yellow Zinc	400	250	Telescopic Stay
DDS1-390	MS	Yellow Zinc	680	390	Telescopic Stay

Extending the Telescopic Stay completely, actuates the stopper & Stay comes in Locking position. Slide the Stay in Backward-Forward position to releases the stopper & the Stay comes in closed position.

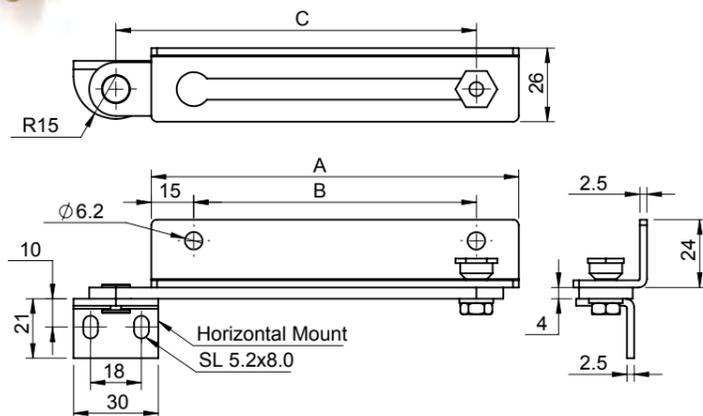
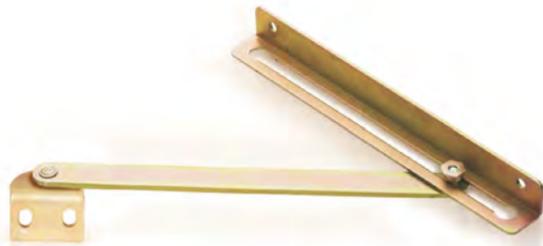
Locks & Latches

Stay



Product Code	Material	Mounting Type	Finish	A	B	C	Description
DDS-130-V	MS	Vertical Mount	Yellow Zinc	130	100	127.5	Non Latching Stay
DDS-180-V	MS	Vertical Mount	Yellow Zinc	180	150	176.5	Non Latching Stay
DDS-230-V	MS	Vertical Mount	Yellow Zinc	230	200	227	Non Latching Stay

Available in SS-304 on minimum order

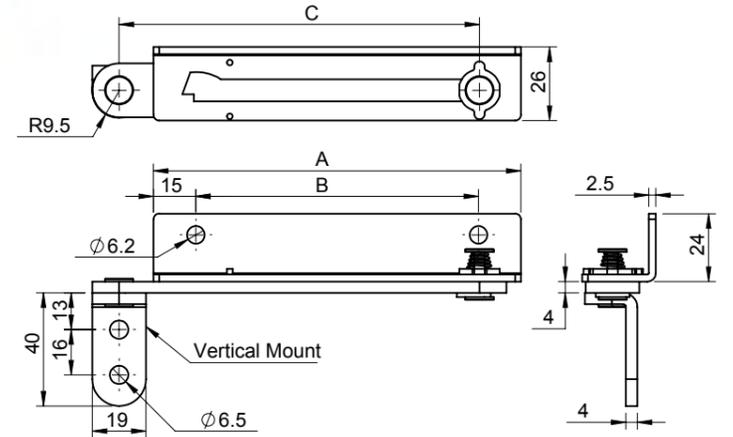
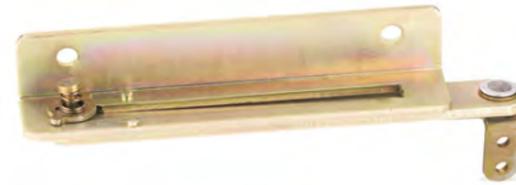


Product Code	Material	Mounting Type	Finish	A	B	C	Description
DDS-130-H	MS	Horizontal Mount	Yellow Zinc	130	100	127.5	Non Latching Stay
DDS-180-H	MS	Horizontal Mount	Yellow Zinc	180	150	176.5	Non Latching Stay
DDS-230-H	MS	Horizontal Mount	Yellow Zinc	230	200	227	Non Latching Stay

Available in SS-304 on minimum order

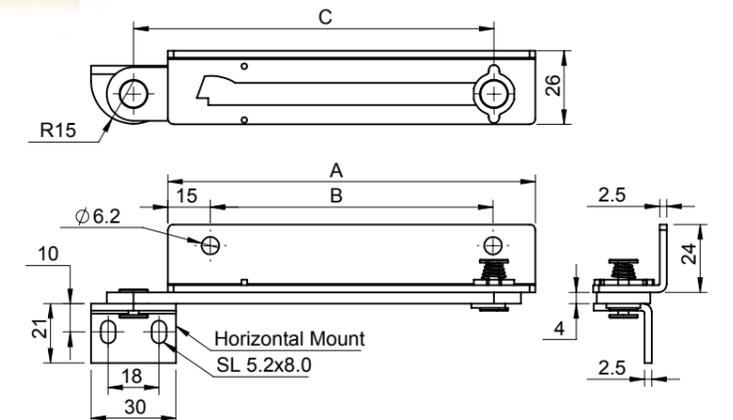
Locks & Latches

Stay



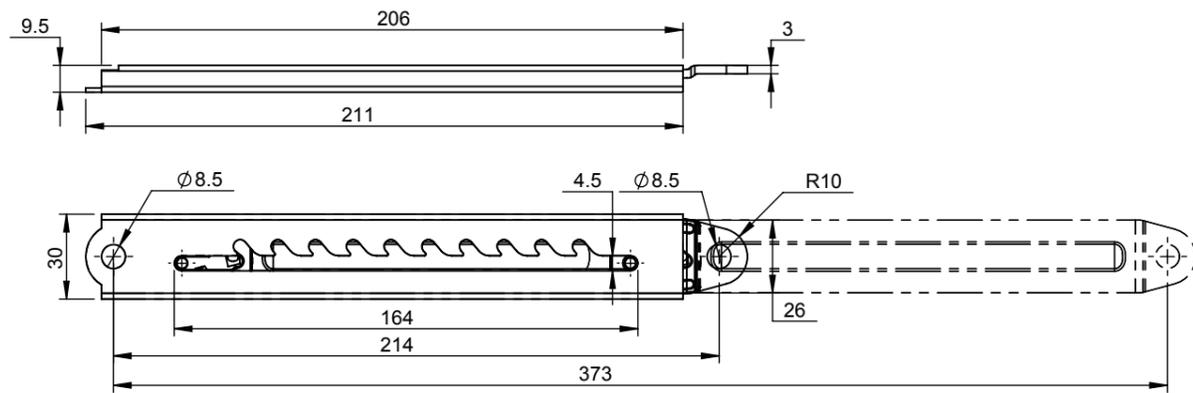
Product Code	Material	Mounting Type	Finish	A	B	C	Description
DDSL-130-V	MS	Vertical Mount	Yellow Zinc	130	100	127.5	Latching Stay
DDSL-180-V	MS	Vertical Mount	Yellow Zinc	180	150	176.5	Latching Stay
DDSL-230-V	MS	Vertical Mount	Yellow Zinc	230	200	227	Latching Stay

Available in SS-304 on minimum order



Product Code	Material	Mounting Type	Finish	A	B	C	Description
DDSL-130-H	MS	Horizontal Mount	Yellow Zinc	130	100	127.5	Latching Stay
DDSL-180-H	MS	Horizontal Mount	Yellow Zinc	180	150	176.5	Latching Stay
DDSL-230-H	MS	Horizontal Mount	Yellow Zinc	230	200	227	Latching Stay

Available in SS-304 on minimum order



Product Code	Material	Finish
DDSL-2	MS	Blue Zinc



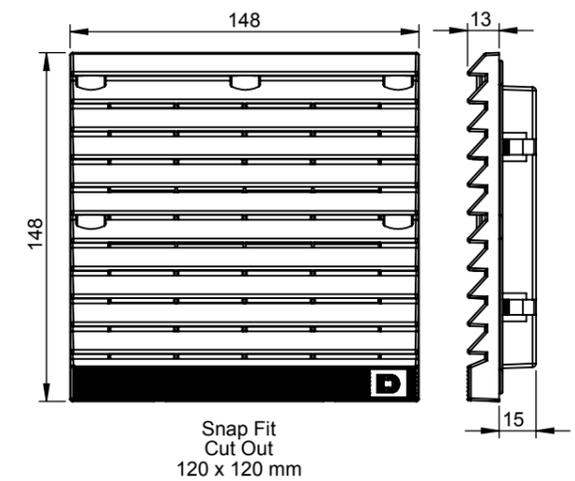
DSF-150-RAL-7032-IVORY



DSF-150-RAL-7035-GRAY



DSF-150-RAL-7035-GRAY-Back View



Product Code	Material	Colour	Description
DSF-150-RAL-7032-IVORY	ABS	RAL-7032 (Ivory Gray)	Filter
DSF-150-RAL-7035-GRAY	ABS	RAL-7035 (Gray)	Filter

Locks & Latches

Filters



DSF-204-RAL-7032-IVORY



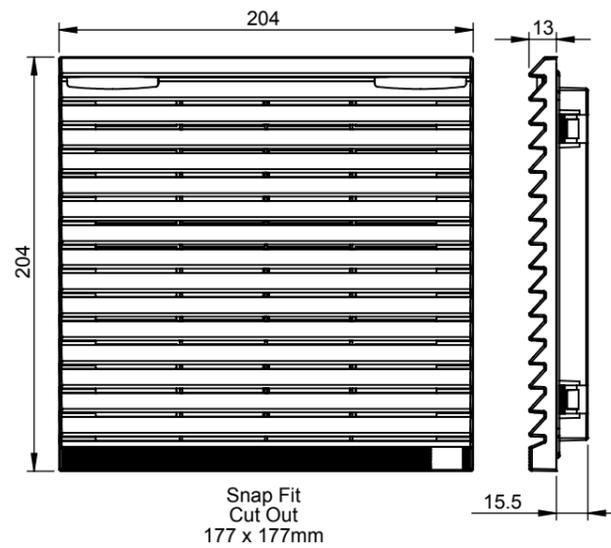
DSF-204-RAL-7032-IVORY-Back View



DSF-204-RAL-7035-GRAY



DSF-204-BLACK



Product Code	Material	Colour	Description
DSF-204-RAL-7032-IVORY	ABS	RAL-7032 (Ivory Gray)	Filter
DSF-204-RAL-7035-GRAY	ABS	RAL-7035 (Gray)	Filter
DSF-204-BLACK	ABS	Black	Filter

Locks & Latches

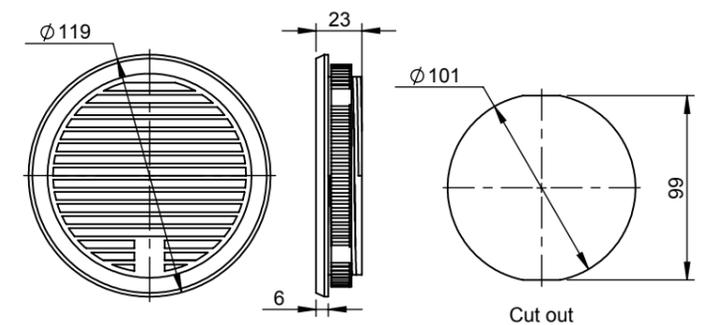
Filters



DRF-120-RAL-7032-IVORY



DRF-120-RAL-7035-GRAY



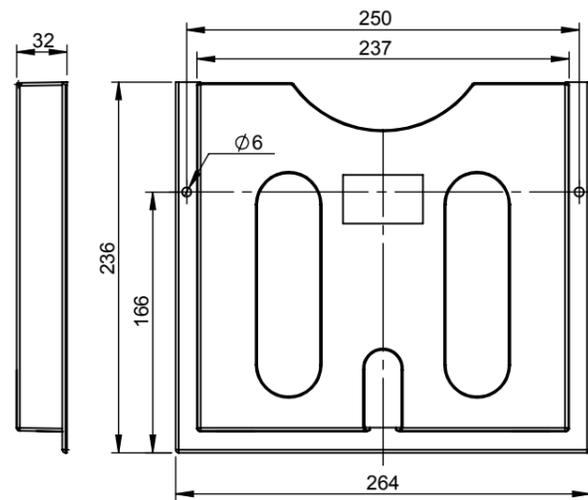
Product Code	Material	Colour	Description
DRF-120-RAL-7032-IVORY	ABS	RAL-7032 (Ivory Gray)	Filter
DRF-120-RAL-7035-GRAY	ABS	RAL-7035 (Gray)	Filter



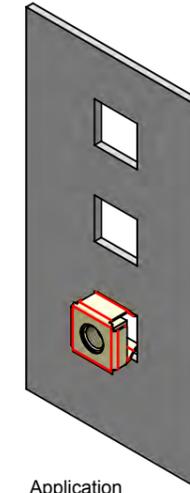
DDP001-RAL-2004-O



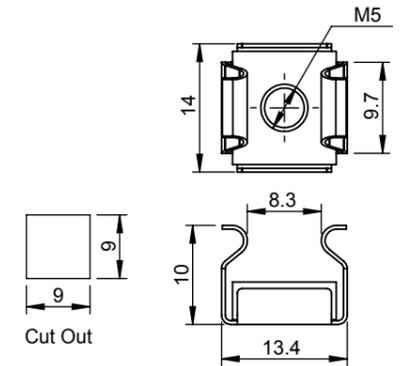
DDP001-RAL-7035-G



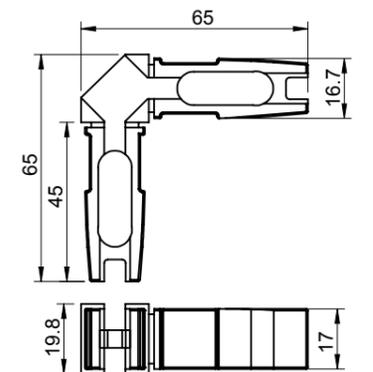
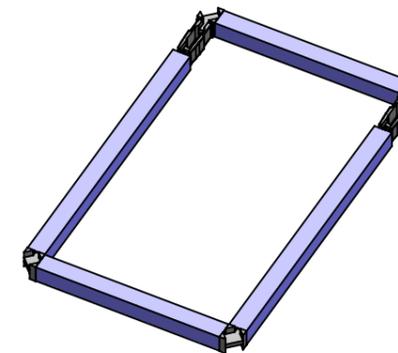
Product Code	Material	Colour	Description
DDP001-RAL-2004-O	ABS	RAL-2004 (Orange)	Drawing Pocket
DDP001-RAL-7035-G	ABS	RAL-7035 (Gray)	Drawing Pocket



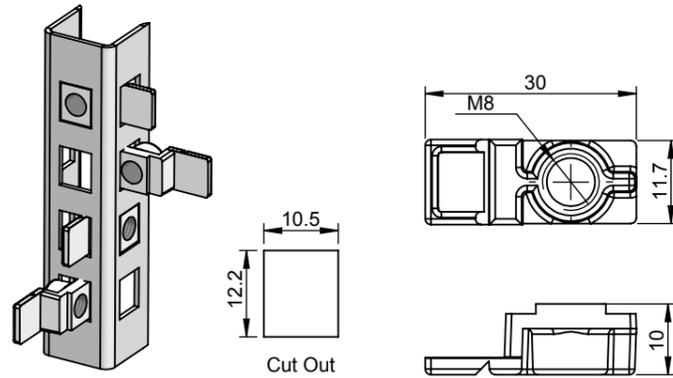
Application



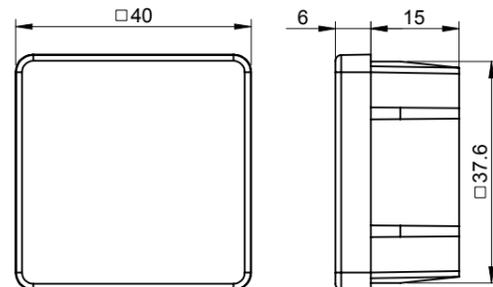
Product Code	Material	Finish	Tap Size	Description
DCN12-M5	MS	Yellow Zinc	M5	Cage Nut
DCN12-M6	MS	Yellow Zinc	M6	Cage Nut



Product Code	Material	Description
DPC-17	Polyamide	Connector

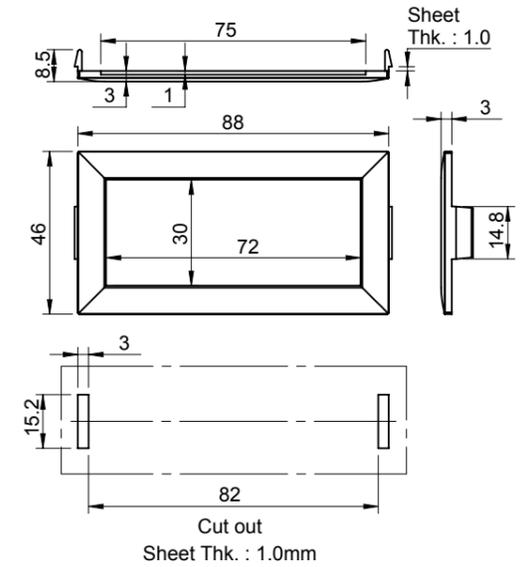


Product Code	Material	Finish	Description
AP7-M8	Zinc	Raw	Nut

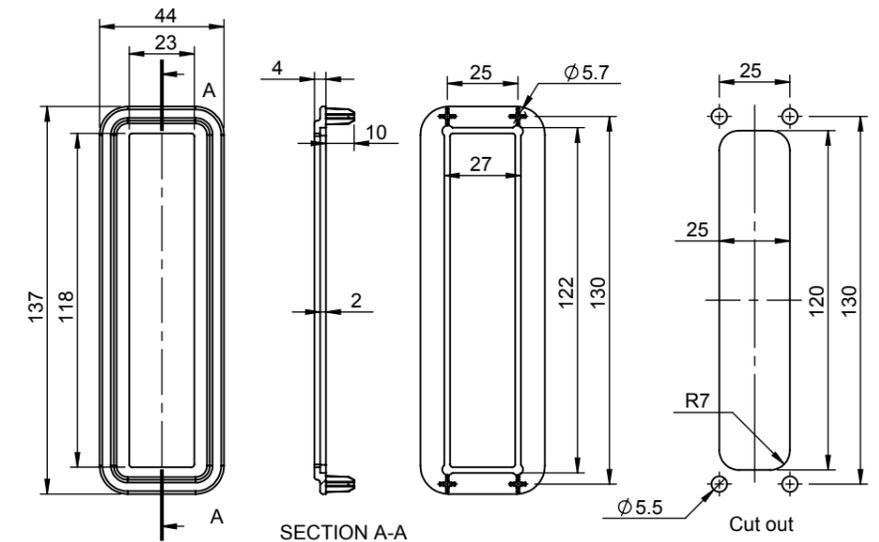


2020

Product Code	Material	Finish	Description
DPCSQ-40-G	Polyamide Gray	Raw	Nut



Product Code	Material	Description
DPNH-4888	Polyamide	Card Holder



Product Code	Material	Description
DSB-13844	Polyamide	-